

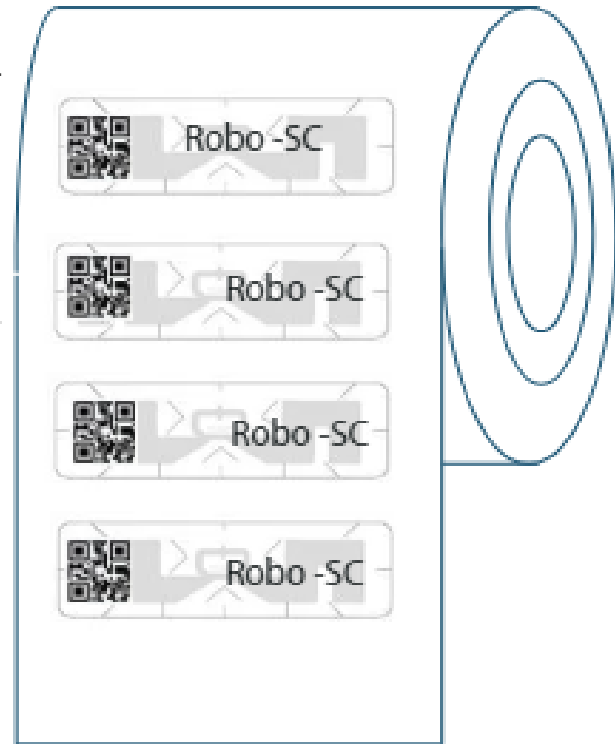


PROXSECURE UHF LABELS PVT. LTD.



ROBO -SC

ROBO -SC UHF RFID labels are recommended for tagging item-level retail products serving many industries, including Beauty, Healthcare, and Apparel. ROBO-SC is a wideband EPC Class GEN2 tag that fulfils the need for best in a class of windshield application. Extra security kiss cuts improve security against removal and re-use. It performs well on various non-metallic objects, including plastic or cardboard cases & glass surfaces, making it ideal for solar & multiple industrial applications.



Applications



Asset Management



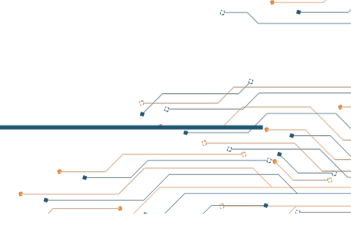
Retail Management



Warehouse Management

Order Information

Part Number	IC Type	Memory Configuration
RFL-050301-ETSI/FCC	Impinj Monza R6P	EPC Memory - 96 bits / 128 bits USER Memory - 64 /32 bits



Electrical Specifications

Operational Frequency	FCC: 902-928MHz ETSI: 865- 868 MHz
Interface Protocol	ISO 18000-63 and EPCglobal Gen2v2
Chip Type*	Impinj Monza R6P
Memory Configuration	EPC Memory - 96 bits / 128 bits USER Memory - 64 /32 bits
Data Retention	50 Years
Write Cycle Endurance	100,000 cycles
Read Range**	Free Air- upto 14 Meter On Glass-upto 15 Meter On Plastic- upto 14 meter

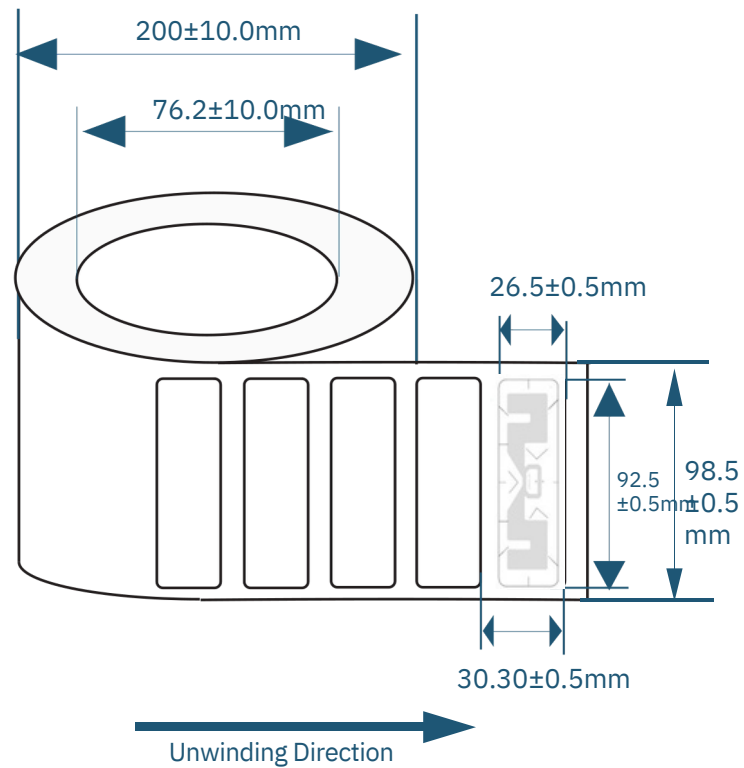
Product Characteristics

Die Cut Size	92.5 X 26.5 mm / 3.64 X 1.01 in
Antenna Size	90.0 x 22.0 mm / 3.54 x 0.86 in
Material	PET/Aluminum Foil
Packaging	Reel core inner dimension: 76.2mm/ 3" , 5000pcs/roll
Attachment	Adhesive
Yield	100 %

Environmental Specifications

Operating Temperature	-40 to +85 °C
Storage Temperature	-40 to +85 °C
IP Rating	IP67

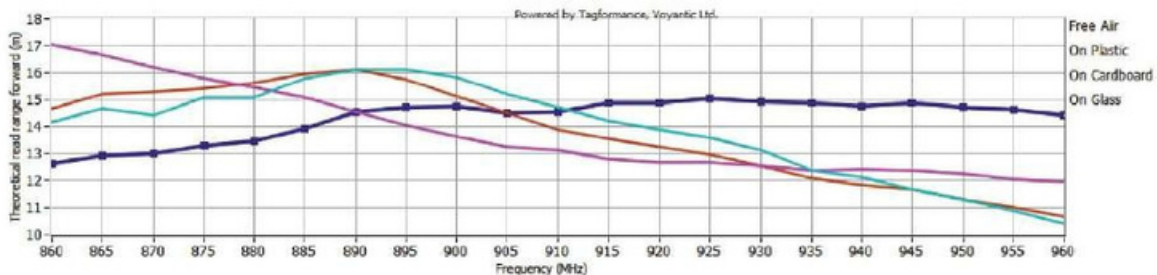
Drawing of Product



Personalization

- Customer specific encoding of EPC
- Customised printing of logo, text, barcode etc

READ RANGE GRAPH



** The indicated read range values are measured in our laboratory testing environment, where antennas with optimum directivity are used with maximum allowed operating power. Different surface materials and environments may exhibit different results.