



PROXSECURE UHF LABELS PVT. LTD.



PID-Flag Tag

The PID- Flag Tag is a wide band EPC CLASS 1 GEN 2 multipurpose tags, which fulfils it's needed in metal, wooden & Glass applications like metal tubes, wooden Pallet, glass Tubes, etc. PID-Flag tag has an innovative compact form factor with a total size of 80 x 50 mm when used as a standard flat paper tag. Its special feature is that a flag can be created at the end of tag with a final paper tag size of 40 x 50 mm after folding.

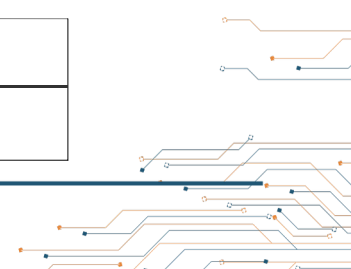


Applications



Ordering Information

Part Number	Item Details
RFST-170302-ETSI/FCC	Hang Tag with R6P IC



Electrical Specifications

Operational Frequency	FCC: 902-928MHz ETSI: 865- 868 MHz
Interface Protocol	ISO 18000-63 and EPCglobal Gen2v2
Chip Type*	IMPINJ MONZA R6P
Memory Configuration	EPC Memory – 96 bits /128 bits USER Memory – 64 bits / 32 bits
Date Retention	50 Years
Write Cycle Endurance	100,000 cycles
Read Range**	Upto 6 meter

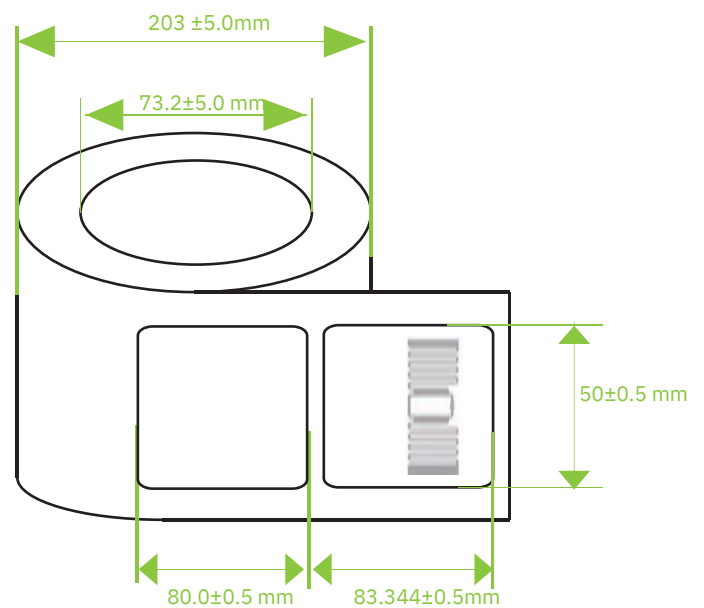
Product Characteristics

Die Cut Size	80 x 50 mm / 3.14 x 1.96 in
Antenna Size	42 x 17 mm / 1.65 x 0.66 in
Material	PET/Aluminum Foil
Packaging	Reel core inner dimension: 76.2mm/ 3", 1500 pcs/roll
Yield	100 %
Attachment	Adhesive

Environmental Specifications

Operating Temperature	-40 to +85 °C
Storage Temperature	-40 to +85 °C
IP Rating	IP67

Product Drawing:



Personalization

- Customer specific encoding of EPC
- Customised printing of logo, text, barcode etc

Folding Instruction

